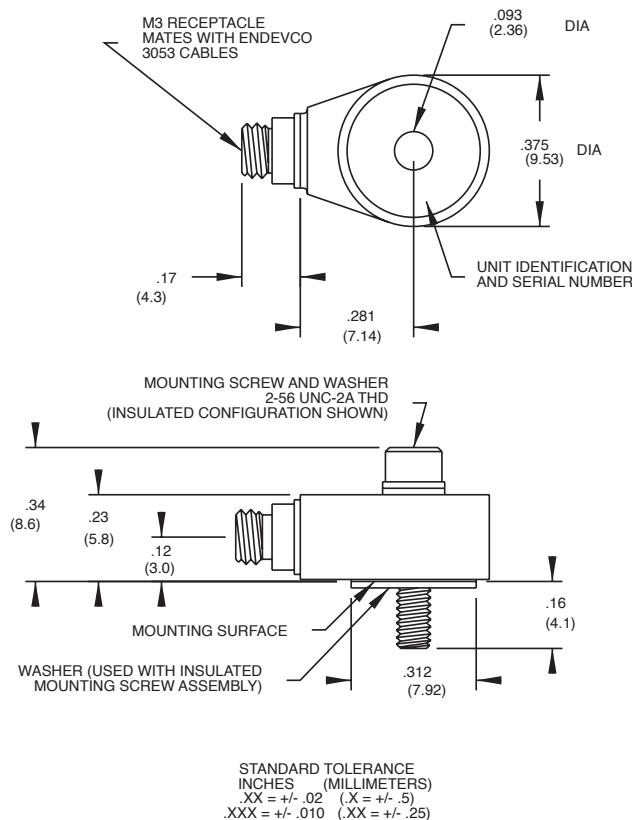
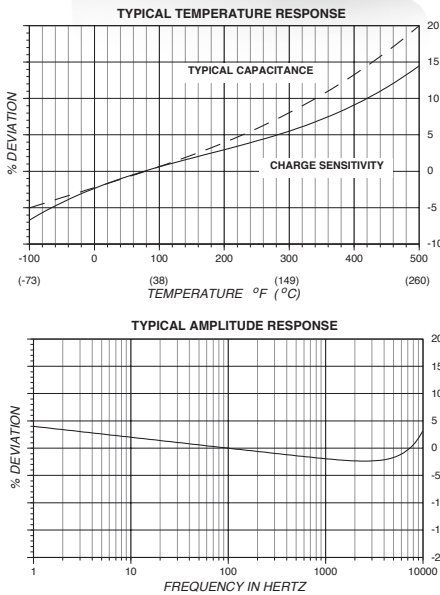
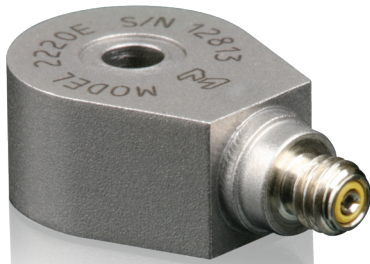


Piezoelectric accelerometer Model 2220E



Key features

- NEW! 2220E-R available as replacement sensor
- High temperature [260°C]
- Miniature design
- 360° cable orientation
- Hermetically sealed
- Small-motor testing, APU's, hydraulic actuators

The Endevco® model 2220E is a miniature piezoelectric accelerometer designed specifically for high temperature vibration measurement on mini-structures and small objects. The unit is hermetically sealed and ideal for use in extreme environments. Its light weight (3.1 gm) effectively eliminates mass loading. The accelerometer is a self-generating device that requires no external power source for operation.

Model 2220E features Endevco's Piezite® type P-8 crystal element operating in annular shear mode. This configuration exhibits excellent output sensitivity stability over time. Signal ground is connected to the outer case of the unit. When used with the supplied isolated mounting screw assembly, the accelerometer is electrically isolated from ground. A specially designed, low-noise coaxial cable is supplied for error-free operation. The transducer utilizes a centrally located thru bolt, allowing 360° cable orientation. The unit may also be mounted with an adhesive.

Endevco signal conditioner models 133, 2775B, 2771C, or OASIS 2000 computer-controlled system are recommended for use with this high-impedance accelerometer.

Piezoelectric accelerometer

Model 2220E

Specifications

The following performance specifications conform to ISA-RP-37.2 (1964) and are typical values, referenced at +75°F (+24°C), 4 mA and 100 Hz, unless otherwise noted. Calibration data, traceable to National Institute of Standards and Technology (NIST), is supplied

Dynamic characteristics	Units	
Charge sensitivity		
Typical	pC/g	3.0
Minimum	pC/g	2.0
Frequency response		See typical amplitude response
Resonance frequency	kHz	50
Amplitude response [1]		
±5%	Hz	1 to 10 000
±1 dB	Hz	1 to 12 000
Temperature response		See typical curve
Transverse sensitivity	%	≤5
Amplitude linearity		
Per 500g, 0 to 5000 g	%	1
Electrical characteristics		
Output polarity		Acceleration directed into the base of the unit produces positive output
Resistance	GΩ	≥20
Resistance at +500°F (+260°C)	MΩ	≥25
Capacitance	pF	770
Grounding		Signal return connected to case. Case isolated from mounting surface by insulated screw assembly
Environmental characteristics		
Temperature range		-67°F to +500°F (-55°C to +260°C)
Humidity		Hermetically sealed
Sinusoidal vibration limit	g pk	1000
Shock limit [2]	g pk	5000
Base strain sensitivity	equiv. g/μ strain	0.05
Physical characteristics		
Dimensions		See outline drawing
Weight	gm (oz)	3.1 (0.11)
Case material		304L stainless steel
Connector		M3 x 0.5 6H thread, mates with Endevco 3053 cables
Mounting torque	lbf-in (Nm)	5 (0.57)
Calibration		
Supplied:		
Charge sensitivity	pC/g	
Capacitance	pF	
Maximum transverse sensitivity	%	
Charge frequency response		20 Hz to 10 000 Hz
		10 to 50 kHz

Piezoelectric accelerometer Model 2220E

Accessories

Product	Description	2220E	2220E-R
EH96	Mounting screw	Included	Included
EHM178	Wrench	Included	Optional
3053V-120	Cable assembly, 10ft	Included	Optional
12746	Insulated mounting screw assembly	Included	Included
EHW95	Washer	Included	Included
3090DV-XXX	Cable assembly, extension (10-32/10-32)	Optional	Optional
EJ34	Cable adapter	Optional	Optional
2771C	In-line charge converter	Optional	Optional
133	Signal conditioner	Optional	Optional
2775B	Signal conditioner	Optional	Optional
4990A-1	OASIS 2000 computer-controlled system	Optional	Optional

Notes:

1. Low-end response of the transducer is a function of its associated electronics.
2. Short duration shock pulses, such as those generated by metal-to-metal impacts, may excite transducer resonance and cause linearity errors. Send for TP290 for more details.
3. Maintain high levels of precision and accuracy using Endevco's factory calibration services. Call Endevco's inside sales force at 866-ENDEVCO for recommended intervals, pricing and turn-around time for these services as well as for quotations on our standard products.

Contact

ENDEVCO

www.endevco.com

Tel: +1 (866) ENDEVCO

[+1 (866) 363-3826]