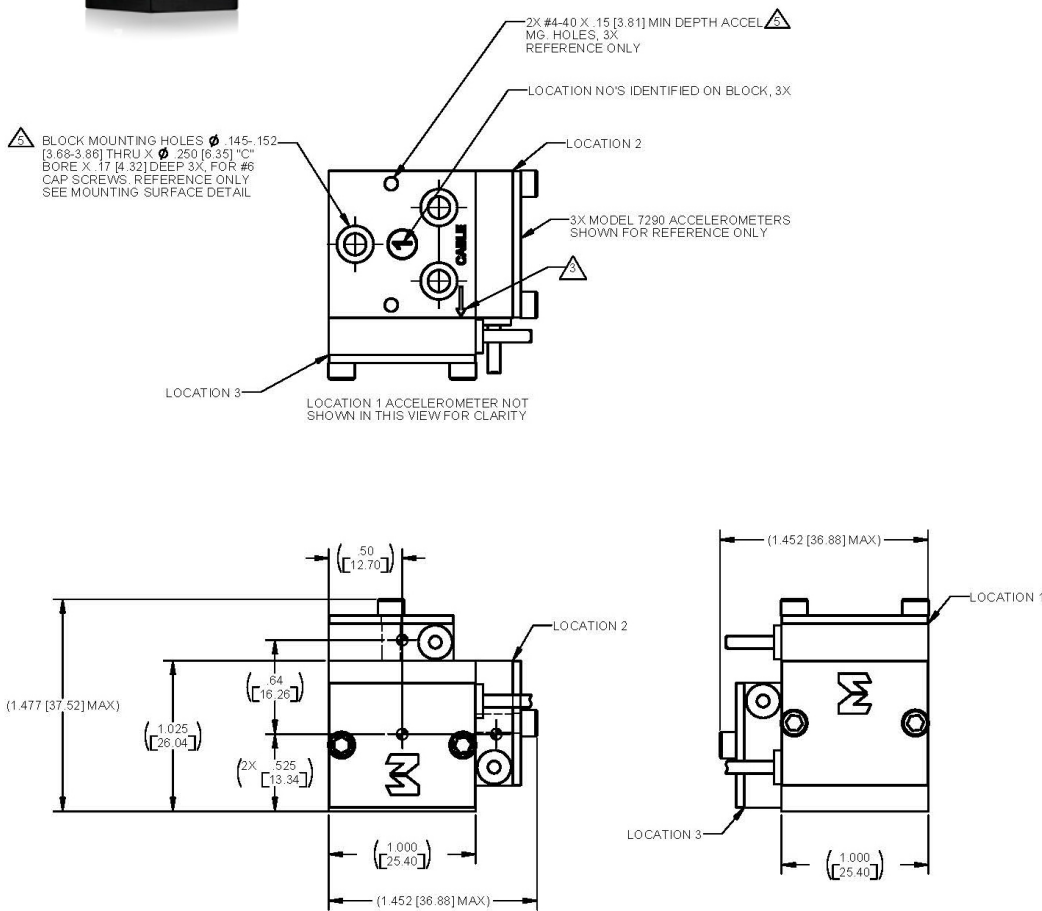


Accessory

Triaxial mounting block 7990



Mounts with provided 6-32 screws, includes 4-40 threaded holes for accelerometer screws.

Specifications

Dimensions mm (in)	26.04 x 25.40 x 25.40 (1.025 x 1.0 x 1.0)
Material	Aluminum alloy, hard anodized
Weight	37.6 grams

Key features

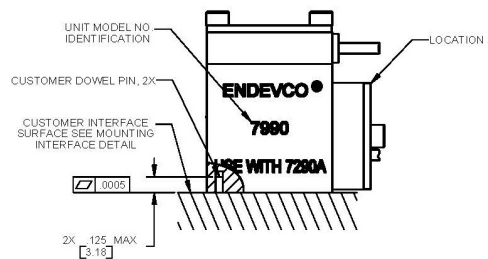
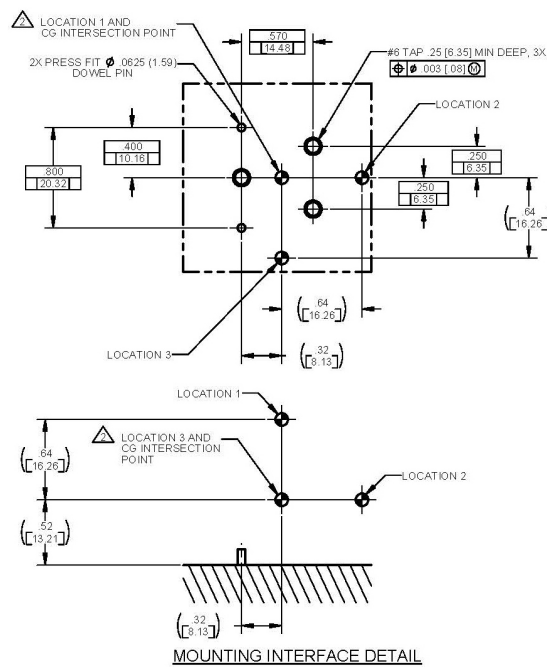
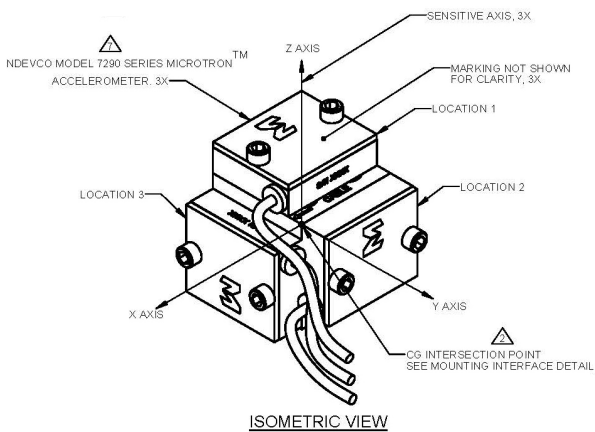
- Compatible with 7290D, 7290G and 7290GM5

Our measurement product competencies:

Piezoelectric accelerometers | Piezoresistive accelerometers | Isotron accelerometers | Variable capacitance accelerometers | Pressure transducers | Acoustic sensors | Electronic instruments | Calibration systems | Shakers | Modal hammers | Cable assemblies

Accessory

Triaxial mounting block 7990



Accessories

Product	Description	7990
EH529	6-32 screws (x3)	Included
EHM49	Hex wrench	Included

Contact

Endevco
Tel: +1 (866) 363-3826
www.endevco.



Continued product improvement necessitates that Endevco reserve the right to modify these specifications without notice. Endevco maintains a program of constant surveillance over all products to ensure a high level of reliability. This program includes attention to reliability factors during product design, the support of stringent Quality Control requirements, and compulsory corrective action procedures. These measures, together with conservative specifications have made the name Endevco synonymous with reliability. 103118