


Model Number 112A03	CHARGE OUTPUT PRESSURE SENSOR			Revision: F ECN #: 29520										
Performance Sensitivity(-10 to +25 %) Measurement Range Maximum Pressure(static) Resolution Resonant Frequency Rise Time(Reflected) Non-Linearity	ENGLISH 1.1 pC/psi 10 kpsi 15 kpsi 2 mpsi ≥ 250 kHz ≤ 2.0 μ sec ≤ 1.0 % FS	SI 0.160 pC/kPa 68,950 kPa 103,420 kPa 0.014 kPa ≥ 250 kHz ≤ 2.0 μ sec ≤ 1.0 % FS	OPTIONAL VERSIONS Optional versions have identical specifications and accessories as listed for the standard model except where noted below. More than one option may be used. E - Emralon coating [3] Coating Emralon Emralon Electrical Isolation(Case) 10 ⁸ ohm 10 ⁸ ohm Supplied Accessory : Model 065A08 Isolation ring 0.250"OD x 0.218" ID x 0.027" thk anodized aluminum (3) Supplied Accessory : Model 065A22 Isolation Seal, .250" OD x .218" ID x .015", Torton or Vespel (3)											
Environmental Acceleration Sensitivity Temperature Range(Operating) Temperature Coefficient of Sensitivity Maximum Flash Temperature Maximum Shock	≤ 0.002 psi/g -400 to +400 °F ≤ 0.06 %/°F 3000 °F 20,000 g pk	≤ 0.0014 kPa/(m/s ²) -240 to +204 °C ≤ 0.108 %/°C 1649 °C 196,140 m/s ² pk	H - Hermetic Seal [3] Sealing Welded Hermetic Welded Hermetic											
Electrical Output Polarity(Positive Pressure) Capacitance Insulation Resistance(at room temp)	Negative 18 pF ≥ 10 ¹² ohm	Negative 18 pF ≥ 10 ¹² ohm	J - Ground Isolated [3][4] P - Positive Output Polarity [3]											
Physical Sensing Element Housing Material Diaphragm Sealing Electrical Connector Weight(with clamp nut)	Quartz 17-4 Stainless Steel Invar Welded Hermetic 10-32 Coaxial Jack 0.212 oz	Quartz 17-4 Stainless Steel Invar Welded Hermetic 10-32 Coaxial Jack 6.0 gm	S - Stainless Steel Diaphragm [3] Diaphragm 316L Stainless Steel 316L Stainless Steel W - Water Resistant Cable [5][3] Supplied Accessory : Model 060A03 Clamp nut, 5/16-24-2A thd, 1/4" hex, stainless steel (1) WM - Water Resistant Cable [5][3] Supplied Accessory : Model 060A05 Clamp nut M7 x 0.75-6g thd (1)											
<i>All specifications are at room temperature unless otherwise specified. In the interest of constant product improvement, we reserve the right to change specifications without notice.</i>				NOTES: [1] Resolution dependent on range setting and cable length used in charge system. [2] Zero-based, least-squares, straight line method. [3] For sensor mounted in thread adaptor, see adaptor installation drawing for supplied accessories. [4] Used with optional mounting adaptor. [5] Clamp nut installed prior to cable attachment										
ICP® is a registered trademark of PCB Group, Inc.				SUPPLIED ACCESSORIES: Model 060A03 Clamp nut, 5/16-24-2A thd, 1/4" hex, stainless steel (1) Model 060A05 Clamp nut M7 x 0.75-6g thd (1) Model 065A02 Seal ring, sensor flush mount, 0.248" OD x 0.219" ID x 0.015" thk, brass (3) Model 065A05 Seal sleeve sensor recess mount 0.248" OD x 0.221" ID x 0.240" thk 17-7 (1)										
				<table border="1"> <tr> <td>Entered: BLS</td> <td>Engineer: WJL</td> <td>Sales: RHM</td> <td>Approved: RF</td> <td>Spec Number:</td> </tr> <tr> <td>Date: 10/17/08</td> <td>Date: 10/26/08</td> <td>Date: 10/30/08</td> <td>Date: 10/26/08</td> <td>7103</td> </tr> </table>	Entered: BLS	Engineer: WJL	Sales: RHM	Approved: RF	Spec Number:	Date: 10/17/08	Date: 10/26/08	Date: 10/30/08	Date: 10/26/08	7103
Entered: BLS	Engineer: WJL	Sales: RHM	Approved: RF	Spec Number:										
Date: 10/17/08	Date: 10/26/08	Date: 10/30/08	Date: 10/26/08	7103										
				<div style="display: flex; justify-content: space-between;"> <div data-bbox="1029 1274 1480 1372">  <p>PCB PIEZOTRONICS™ PRESSURE DIVISION 3425 Walden Avenue, Depew, NY 14043</p> </div> <div data-bbox="1522 1291 1816 1364"> <p>Phone: 716-684-0001 Fax: 716-686-9129 E-Mail: pressure@pcb.com</p> </div> </div>										



Represented in India by
Structural Solutions Pvt Ltd. | Phone: 040 2322 2380 | Email: sales@stsols.com
 #4th Floor, Sudheer Tapani Towers, Himayath Nagar, Hyderabad - 500 029

PCB Piezotronics Inc. claims proprietary rights in the information disclosed hereon. Neither it nor any reproduction thereof will be disclosed to others without the written consent of PCB Piezotronics Inc.

REVISIONS

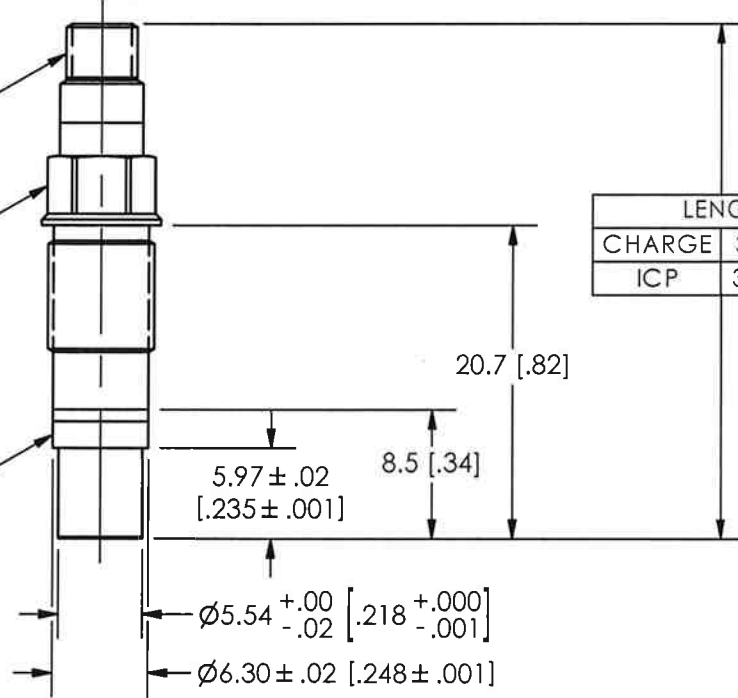
REV	DESCRIPTION	ECN	APP'D
D	CORRECT SIMENSION	25685	DM 1/07
E	CORRECT SPEELING OF "PREPARATION"	27868	DM 14/07

8686

ELECTRICAL CONNECTOR
10-32 THREAD

2 MODEL 060A05
CLAMP NUT
1/4 HEX
M7 X 0.75-6g

1 PRESSURE SENSOR
W/ BUILT IN AMPLIFIER



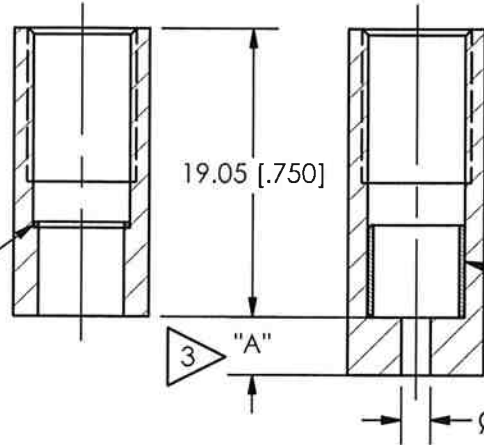
LENGTH	
CHARGE	33.5 [1.32]
ICP	37.1 [1.46]

MOUNTING HOLE PREPARATION

4 FLUSH INSTALLATION
Ø5.61 ± .05 [Ø.221 ± .002]
THRU
└─┬─┐ Ø6.35^{+0.13}_{-.00} [.250^{+0.005}_{-.000}]
X 13.21 [.520] ▽
M7 X 0.75-6H
X 10.16 [.400] ▽
PERFECT THREAD

RECESSED INSTALLATION
└─┬─┐ Ø6.35^{+0.13}_{-.00} [.250^{+0.005}_{-.000}]
X 19.05 [.750] ▽
M7 X 0.75-6H
X 10.16 [.400] ▽
PERFECT THREAD

MODEL 065A02
SEAL
.38 [.015] THICK



MODEL 065A05
SEAL
6.10 [.240] LONG

4 THESE DIMENSIONS FOR 19.0 [.75] THICK WALL. └─┬─┐ THICKER WALLS TO THIS DIMENSION.

3 DIMENSIONS "A" AND Ø"B" TO SUIT USER REQUIREMENTS.

2 RECOMMENDED TORQUE ON CLAMP NUT 225-395 Ncm [25-35 INCH POUNDS].

1 THIS IS A SEALED ASSEMBLY AND SHOULD BE RETURNED TO THE FACTORY SHOULD SERVICE BECOME NECESSARY.

UNLESS OTHERWISE SPECIFIED TOLERANCES ARE:

DIMENSIONS IN INCHES
DECIMALS XX ± .01
XXX ± .005
ANGLES ± 2 DEGREES

DIMENSIONS IN MILLIMETERS [IN BRACKETS]
DECIMALS X ± 0.3
XX ± 0.13
ANGLES ± 2 DEGREES

FILLETS AND RADII
.003 - .005

FILLETS AND RADII
[0.07 - 0.13]

DRAWN	ECB	12/26/07	MFG	PRR	12/26/07
CHK'D	DM	12/26/07	ENGR	ECB	12/26/07
APP'D	RF	12/26/07	SALES	MFG	12/26/07

TITLE
INSTALLATION DRAWING
MODELS M111A, M112A, M113A, M113B SERIES
PRESSURE SENSOR

PCB PIEZOTRONICS^{INC}

3425 WALDEN AVE. DEPEW, NY 14043
(716) 684-0001 E-MAIL: sales@pcb.com

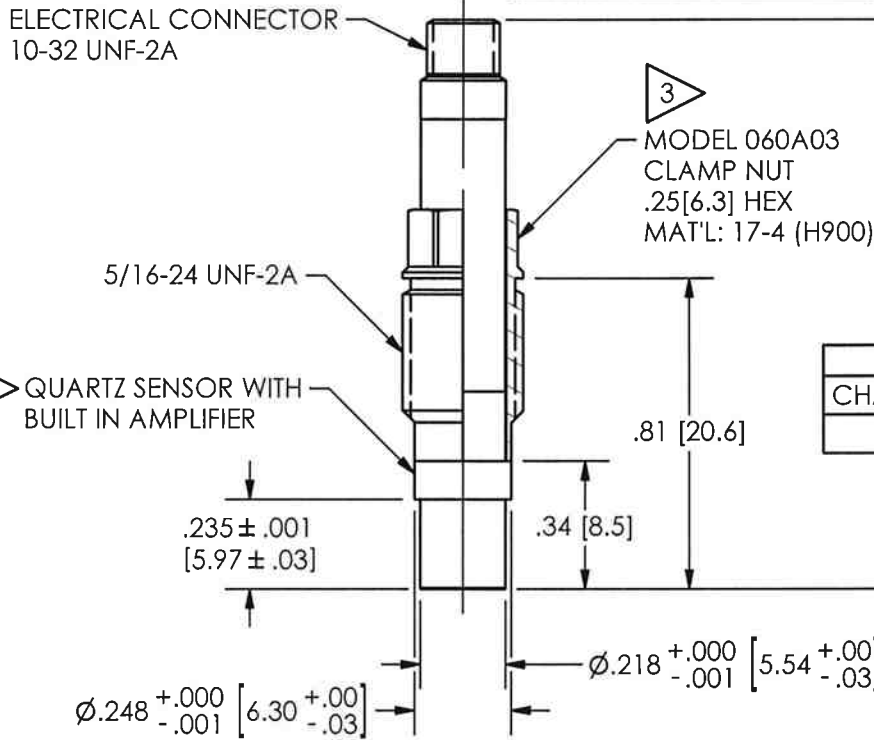
CODE IDENT. NO. 52681
DWG. NO. 8686

SCALE: 2X SHEET 1 OF 1

111-1210-90

PCB Piezotronics Inc. claims proprietary rights in the information disclosed hereon. Neither it nor any reproduction thereof will be disclosed to others without the written consent of PCB Piezotronics Inc.

REVISIONS			
REV	DESCRIPTION	ECN	APP'D
P	CORRECT SPELLING OF "PREPARATION"	27868	DM 5/07
R	REMOVE WELD LINE	27890	DM 1/08



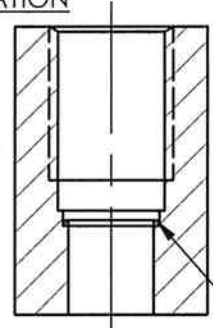
MOUNTING HOLE PREPARATION

1 FLUSH INSTALLATION

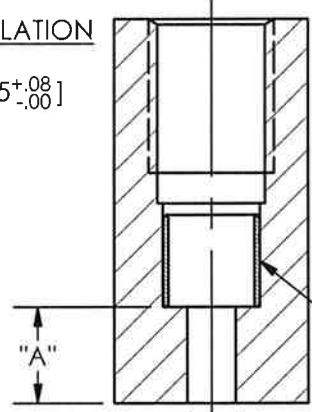
- ∅.221 ± .002 [5.61 ± .05] THRU
- 5 ∟ ∅.250 ^{+.003}/_{-.000} [6.35 ^{+.08}/_{-.00}]
- X .520 [13.20] ▽
- ∟ ∅.277 [7.04]
- X .480 [12.19] ▽
- 5/16-24 UNF-2B
- X .400 [10.16] ▽

2 RECESSED INSTALLATION

- 5 ∟ ∅.250 ^{+.003}/_{-.000} [6.35 ^{+.08}/_{-.00}]
- X .750 [19.05] ▽
- ∟ ∅.277 [7.04]
- X .480 [12.19] ▽
- 5/16-24 UNF-2B
- X .400 [10.16] ▽



MODEL 065A02
SEAL
.015 [.38] THK



MODEL 065A05
SEAL
.240 [6.09] LONG

- 5 FOR BEST RESULTS USE A MINIMUM 63 [1.6] SURFACE FINISH.
- 4 IC AMP AND SENSOR ARE SEALED ASSEMBLIES AND SHOULD BE RETURNED TO THE FACTORY FOR SERVICE AND/OR REPAIR.
- 3 RECOMMENDED TORQUE ON .25 [6.3] HEX: 25-35 IN. LBS. [2.8-3.9 Nm]
- 2 DIMENSIONS "A" AND "B" TO SUIT USER REQUIREMENTS.
- 1 THESE DIMENSIONS FOR .750 [19.05] THICK WALL. COUNTERBORE FOR THICKER WALLS.

UNLESS OTHERWISE SPECIFIED TOLERANCES ARE:		DRAWN	ECB	1/3/08	MFG	JP	1/3/08	<p>3425 WALDEN AVE. DEPEW, NY 14043 (716) 684-0001 E-MAIL: sales@pcb.com</p>
DIMENSIONS IN INCHES	DIMENSIONS IN MILLIMETERS [IN BRACKETS]	CHK'D	DM	1/3/08	ENGR	ECB	1/3/08	
DECIMALS XX ± .01 XXX ± .005	DECIMALS X ± 0.3 XX ± 0.13	APP'D	RF	1/3/08	SALES	RWM	1/3/08	
ANGLES ± 2 DEGREES	ANGLES ± 2 DEGREES	TITLE INSTALLATION DRAWING MODELS 111A, 112A, 113A, 113B SERIES PRESSURE SENSOR						
FILLETS AND RADII .003 - .005	FILLETS AND RADII [0.07 - 0.13]	CODE IDENT. NO. 52681		DWG. NO. 111-1210-90		SCALE: 2X		SHEET 1 OF 1