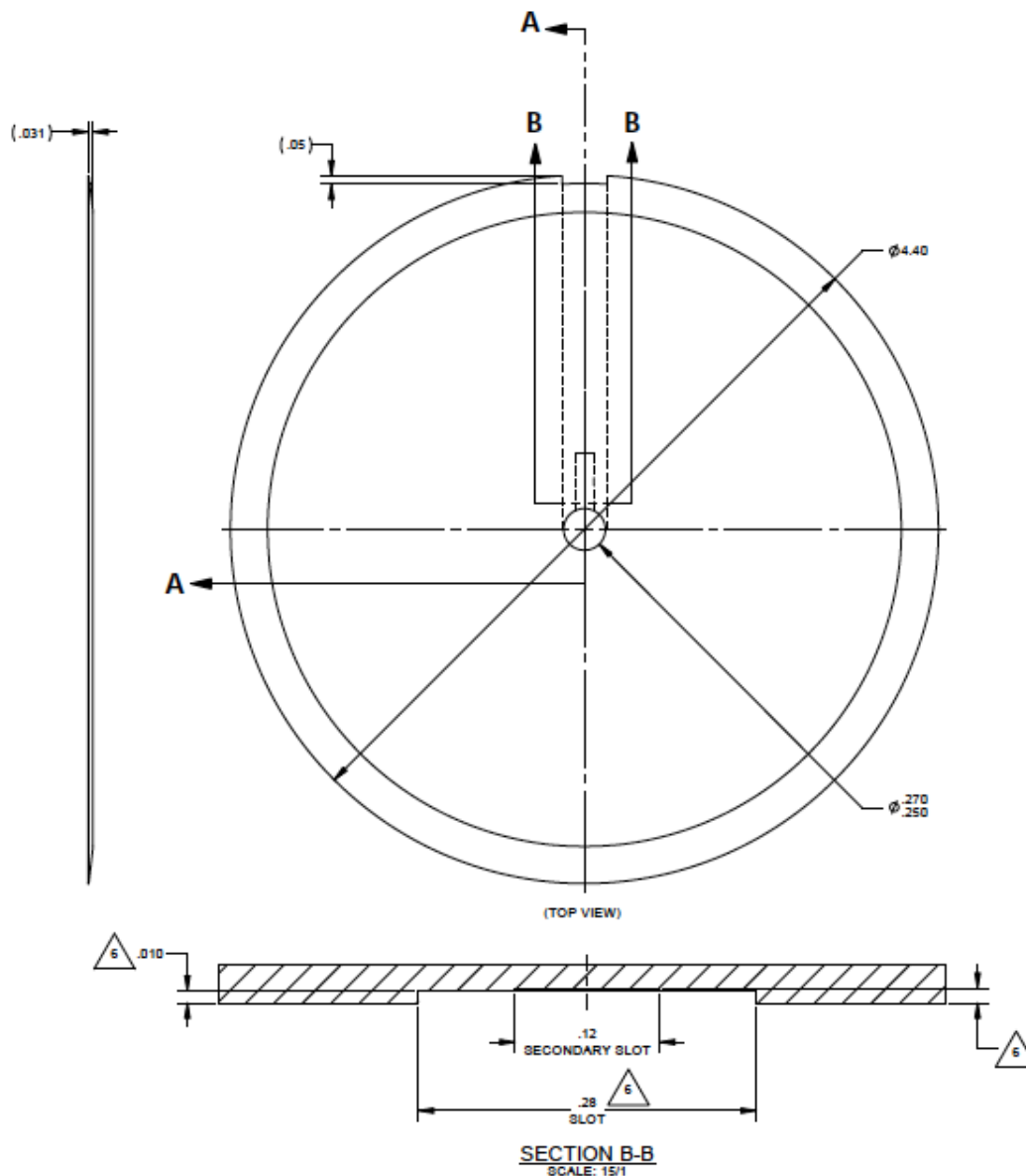


## Mounting pad 30042

### Accessory



### Key features

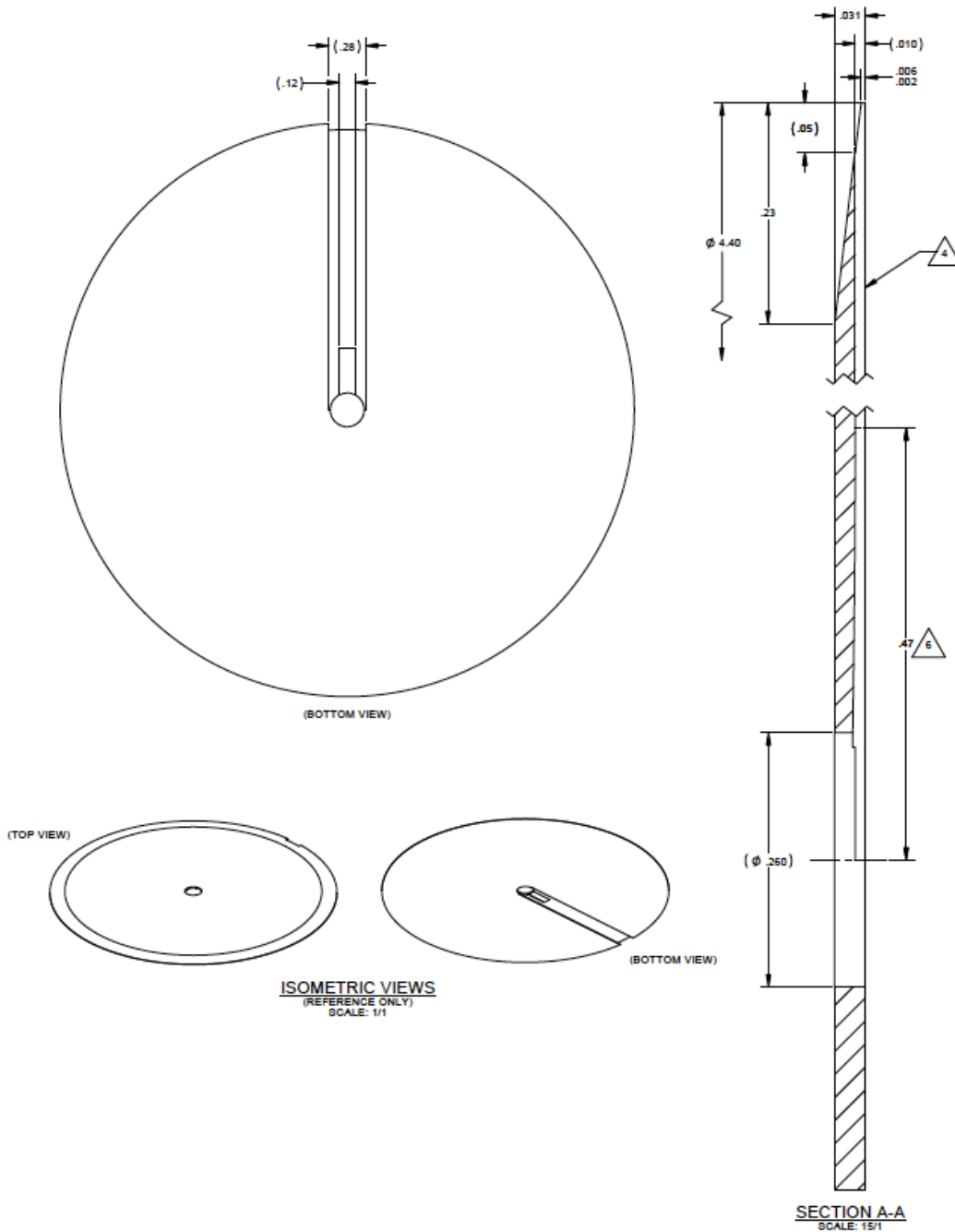
- Aerodynamic mounting pad
- Compatible with 8515C

### Specifications

Dimensions mm (in)	111.76 OD, 0.79 thick (4.4 OD, 0.031 thick)
Material	Elastolan 1180A Urethane
Weight	9.8 grams

## Mounting pad 30042

### Accessory



### Contact

**ENDEVCO**  
[www.endevco.com](http://www.endevco.com)  
 Tel: +1 (866) ENDEVCO  
 [+1 (866) 363-3826]